

Esplanade 5000^{HD}

Esplanade 5000^{HD} is constructed from either 100% solution dyed nylon wipers from the Boulevard 5000^{HD} range or black pvc scraper wipers. These are supported with an aluminium base with pvc bridging strips that provide additional strength and are combined with pvc linking strips. The 100% solution dyed nylon wipers provide excellent soil and moisture retention and are available in a choice of 8 colours.

Esplanade 5000^{HD} coordinates with Boulevard 5000^{HD} for a complete entrance matting solution.

Typical applications: Large hospitals, offices, schools & department stores. **Note** - Open construction medium wheeled traffic areas only.

Product Information

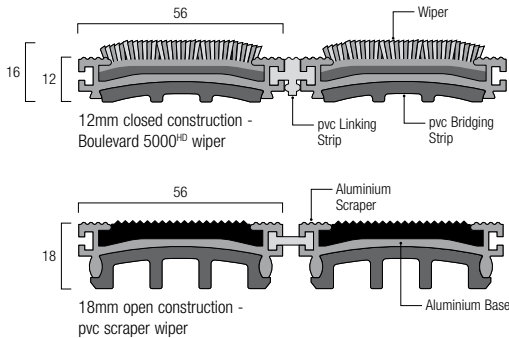
See primary matting product selection guide - pages 14-15



Note - pvc wiper - scraper action only - for exterior use.

- Available in open or closed construction
- Pvc linking strips available in black or grey (closed construction). A push-in hinge is available when installing Esplanade 5000^{HD} in restricted areas (see page 49)
- Supplied with edging strips and divider bars (see page 49)
- Flammability - BSEN 13501-1 Class Cfl-s1
- Slip-resistance (HSL ramp test) - low risk of slip
- Can be manufactured to most shapes on approval of a template
- Warranty - 10 years

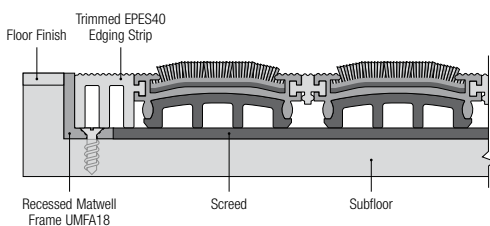
Configuration Examples:
For all product configurations visit www.gradus.com



Profiles:
Dimensions shown are nominal. Illustrations not to size. Products subject to minor design alterations without notice.

Typical Installation

Esplanade 5000^{HD} 18mm closed construction with Boulevard 5000^{HD} wipers. Recessed in a matwell.



For installation accessories see pages 48-49.
For matwell frames and matting accessories see pages 50-55.

Boulevard 5000^{HD} wiper colour options - refer to page 45 for more information



Esplanade 5000^{HD} - Closed construction (shown with Corncrake wipers)



Esplanade 5000^{HD} - Open construction (shown with pvc scraper wipers)

